

THIS DRAWING IS UNPUBLISHED. RELEASED FOR PUBLICATION
 © COPYRIGHT - By - TE CONNECTIVITY ALL RIGHTS RESERVED.

LOC	DIST	REVISIONS				
P	LTR	DESCRIPTION	DATE	DWN	APVD	
HB	-	D1	UPDATE DRAWING VERSIONS ECO-14-006563	17Jul2014	HYS	B.F
		E	REMOVED THE RIB ON BASE TO CASE ECO-15-011310	29Sep2015	HYS	CSM

TE

T77V1D10-12-02

10A 120V~ **UL** us

10A 30V- Res.

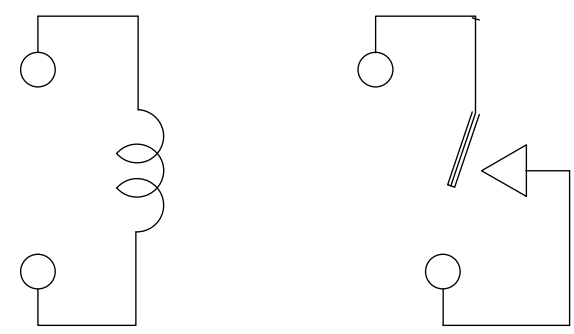
P&B CHINA

LOT No

C2

C

D



CONNECTION FIGURE

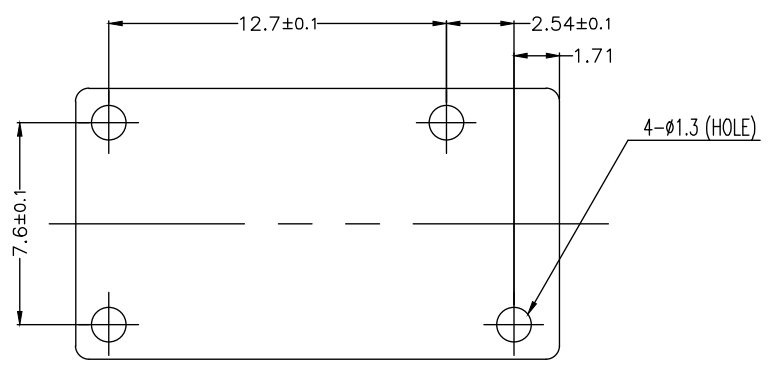
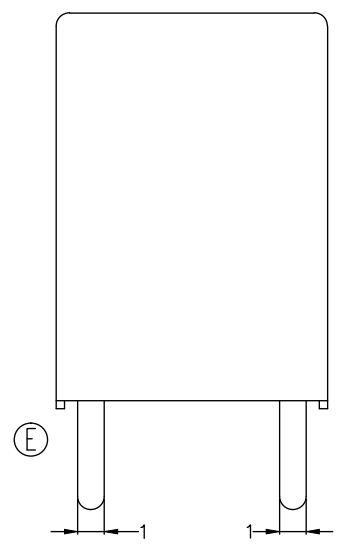
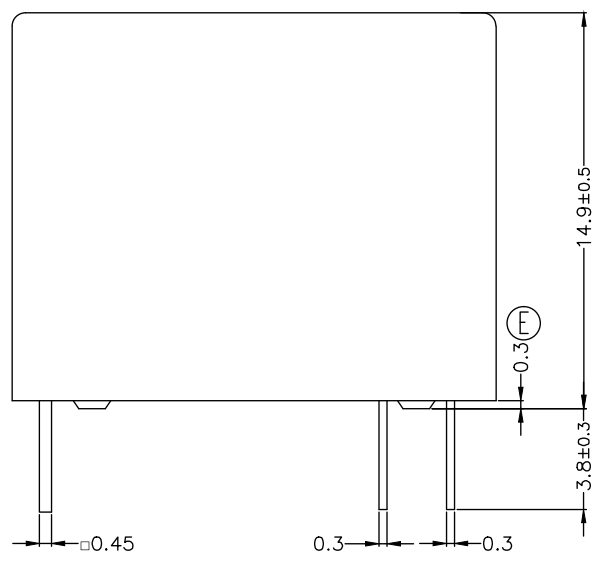
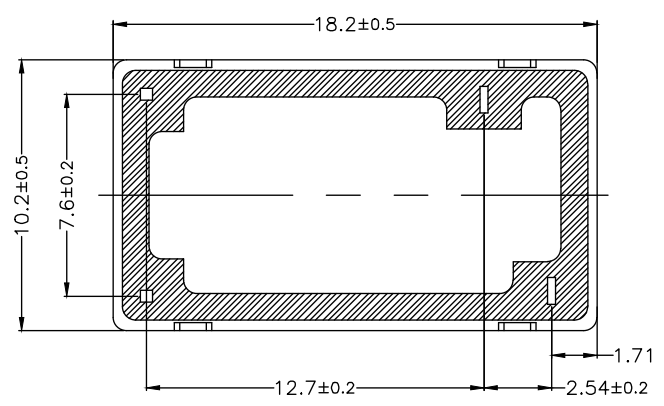


FIGURE FOR PRINTED CIRCUIT BOARD PROCESSING (BOTTOM VIEW)



THIS DRAWING IS A CONTROLLED DOCUMENT.		DWN	Fu Bo	-	TE TE Connectivity
DIMENSIONS: mm		CHK	Xiaoning.Zhang	-	
TOLERANCES UNLESS OTHERWISE SPECIFIED:		APVD	CH.HSU	-	
0 PLC ± - 1 PLC ± - 2 PLC ± - 3 PLC ± - 4 PLC ± - ANGLES ± - FINISH		PRODUCT SPEC	-	NAME	
MATERIAL		APPLICATION SPEC	-	T77*1D10-** CUSTOMER DRAWING	RESTRICTED TO
		WEIGHT	-	SIZE	A3
		CUSTOMER DRAWING		CAGE CODE	00779
				DRAWING NO	1-1393194-9
				SCALE	5:1
				SHEET	1 OF 2
				REV	E

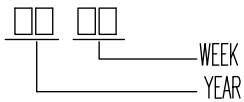
THIS DRAWING IS UNPUBLISHED. RELEASED FOR PUBLICATION - .- .
 © COPYRIGHT - By - TE CONNECTIVITY ALL RIGHTS RESERVED.

LOC	DIST	REVISIONS					
HB	-	P	LTR	DESCRIPTION	DATE	DWN	APVD
		-		SEE SHEET 1	-	-	-

107-79010	3-1393194-8	T77V1D10-24-01	T77V1D10-24-01	q	Ⓢ
107-79010	2-1393194-2	T77V1D10-48	T77V1D10-48	p	
107-79010	2-1393194-1	T77V1D10-24	T77V1D10-24	o	
107-79010	2-1393194-0	T77V1D10-18	T77V1D10-18	n	
107-79010	1-1393194-9	T77V1D10-12	T77V1D10-12	m	
107-79010	1440005-1	T77V1D10-09	T77V1D10-09	l	
107-79010	8-1440009-1	T77V1D10-06	T77V1D10-06	k	Ⓢ
107-79010	1-1393194-8	T77V1D10-05	T77V1D10-05	j	
107-79010	1-1393194-7	T77V1D10-03	T77V1D10-03	i	Ⓢ
107-79010	9-1440004-7	T77S1D10-48	T77S1D10-48	h	Ⓢ
107-79010	1-1393194-0	T77S1D10-24	T77S1D10-24	g	
107-79010	9-1440004-5	T77S1D10-18	T77S1D10-18	f	Ⓢ
107-79010	1393194-9	T7S1D10-12	T7S1D10-12	e	
107-79010	1393194-8	T77S1D10-09	T77S1D10-09	d	Ⓢ
107-79010	9-1440004-2	T77S1D10-06	T77S1D10-06	c	Ⓢ
107-79010	1393194-7	T77S1D10-05	T77S1D10-05	b	Ⓢ
107-79010	1393194-6	T77S1D10-03	T77S1D10-03	a	Ⓢ
PACKAGE SPEC.	PART NO	DESCRIPTION	PART A	TYPE	

RELAY TYPE

NOTE
1.LOT NO SYSTEM AS FOLLOWING:



- Ⓢ 2.TERMINAL DIMENSION IS BEFORE SOLDER DIP;
- Ⓢ 3.FOR THE TIN-PLATING OF THE PINS:
+0.1mm FOR WIDTH,THICKENSS AND DIAMETER.
+0.5mm FOR LENGTH.

ⓈⓈ 4.MARKING FROM INK TO LASER AND USING WELDED CONTACT

Ⓢ 5.ADD LOT NO. SYSTEM AS FOLLOWING;



- I, DIGITS FOR DAY OF THE WEEK
1...MONDAY IN THIS WEEK;
2...TUESDAY IN THIS WEEK;
3...WEDNESDAY IN THIS WEEK;
4...THURSDAY IN THIS WEEK;
5...FRIDAY IN THIS WEEK;
6...SATURDAY IN THIS WEEK;
7...SUNDAY IN THIS WEEK
- II, DIGITS FOR SHIFT OF THE DAY
1...DAY SHIFT IN THIS DAY;
2...NIGHT SHIFT IN THIS DAY;
- III, ONE CHARACTER DISTINGUISH THE LINE IDENTITY, SUCH AS: A,B,...XZ

		EPOXY RESIN	SEAL (BASE & BOBBIN)	15
		MM79	MAGNETIC WIRE	14
94V-0		P.B.T	CASE	13
94V-0		P.B.T	BASE	12
94VHB		P.B.T	BOBBIN	11
	SOLDER DIP	C.P WIRE	COIL TERMINAL	10
94V-0		P.P.S	CARD	9
		Ag ALLOY	MOVABLE CONTACT	8
		Ag	NO.CONTACT	7
		STEEL	HINGE SPRING	6
	SOLDER DIP	CU ALLOY	NO.TERMINAL	5
	SOLDER DIP	CU ALLOY	MOVABLE SPRING	4
	NIP	STEEL	CORE	3
	NIP	STEEL	ARMATURE	2
	NIP	STEEL	YOKE	1
INCOMBUSTIBILITY	TREATMENT	MATERIAL	DESCRIPTION	ITEM

THIS DRAWING IS A CONTROLLED DOCUMENT.		DWN	Fu Bo	-
DIMENSIONS: mm		CHK	Xiaoning.Zhang	-
TOLERANCES UNLESS OTHERWISE SPECIFIED:		APVD	CH.HSU	-
	0 PLC	±	-	
	1 PLC	±	-	
	2 PLC	±	-	
	3 PLC	±	-	
4 PLC	±	-		
ANGLES	±	-		
MATERIAL	FINISH	PRODUCT SPEC	-	
		APPLICATION SPEC	-	
		WEIGHT	-	
		TE Connectivity		
		NAME		
		T77*1D10-** CUSTOMER DRAWING		
SIZE	CAGE CODE	DRAWING NO	RESTRICTED TO	
A3	00779	Ⓢ= 1-1393194-9		
CUSTOMER DRAWING		SCALE	SHEET	REV
		5:1	2 OF 2	E